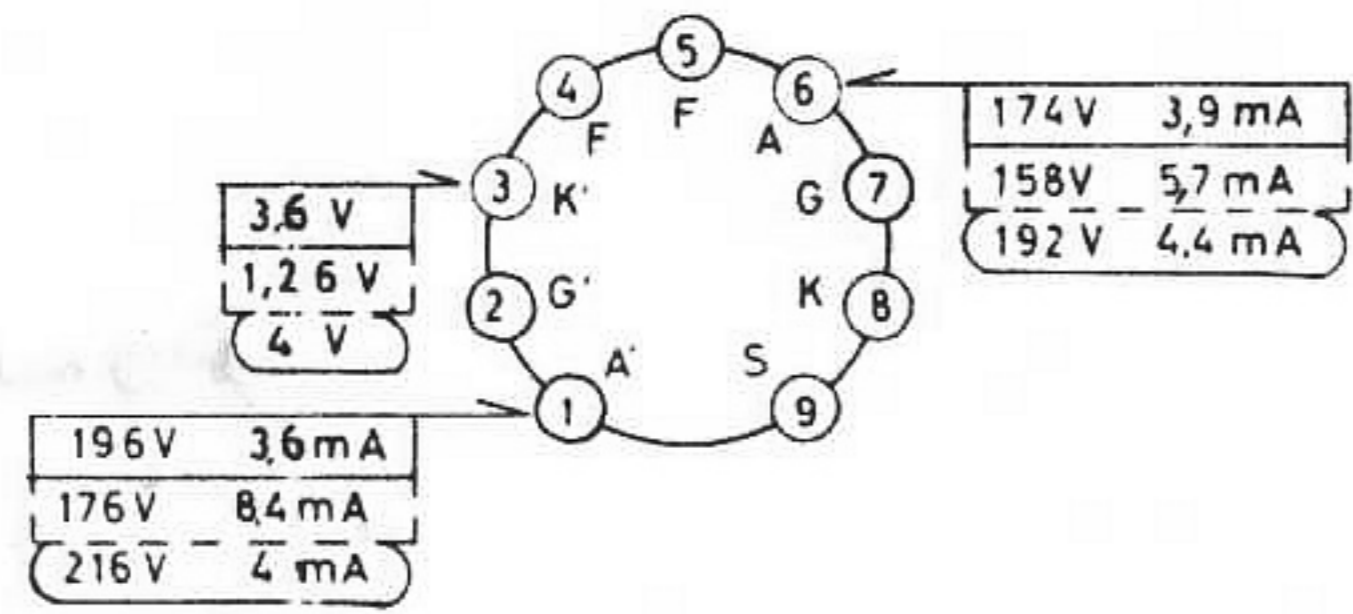
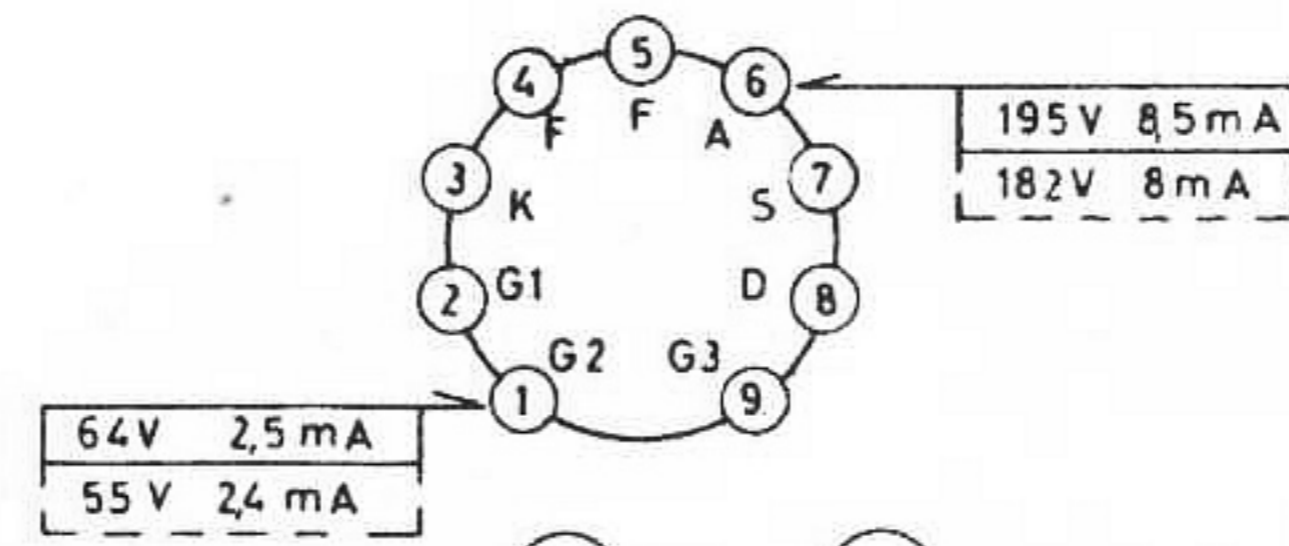


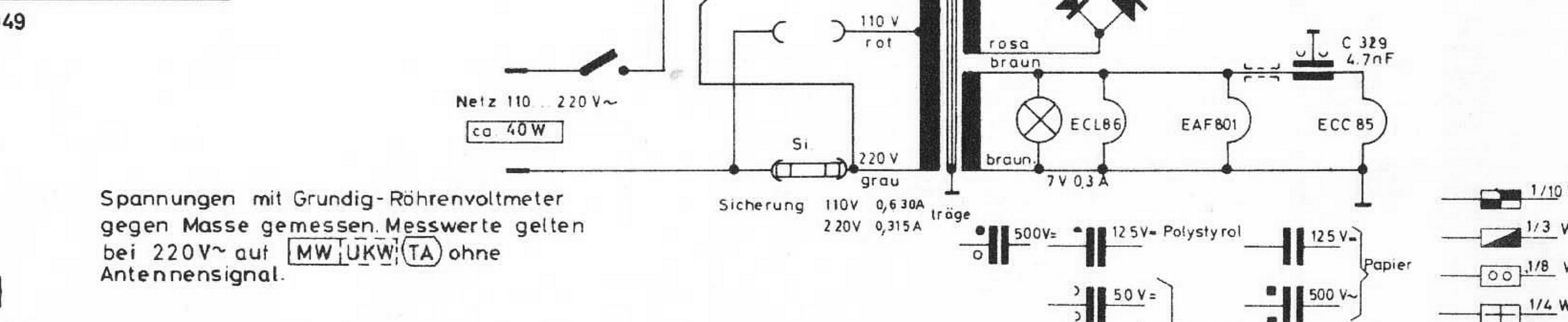
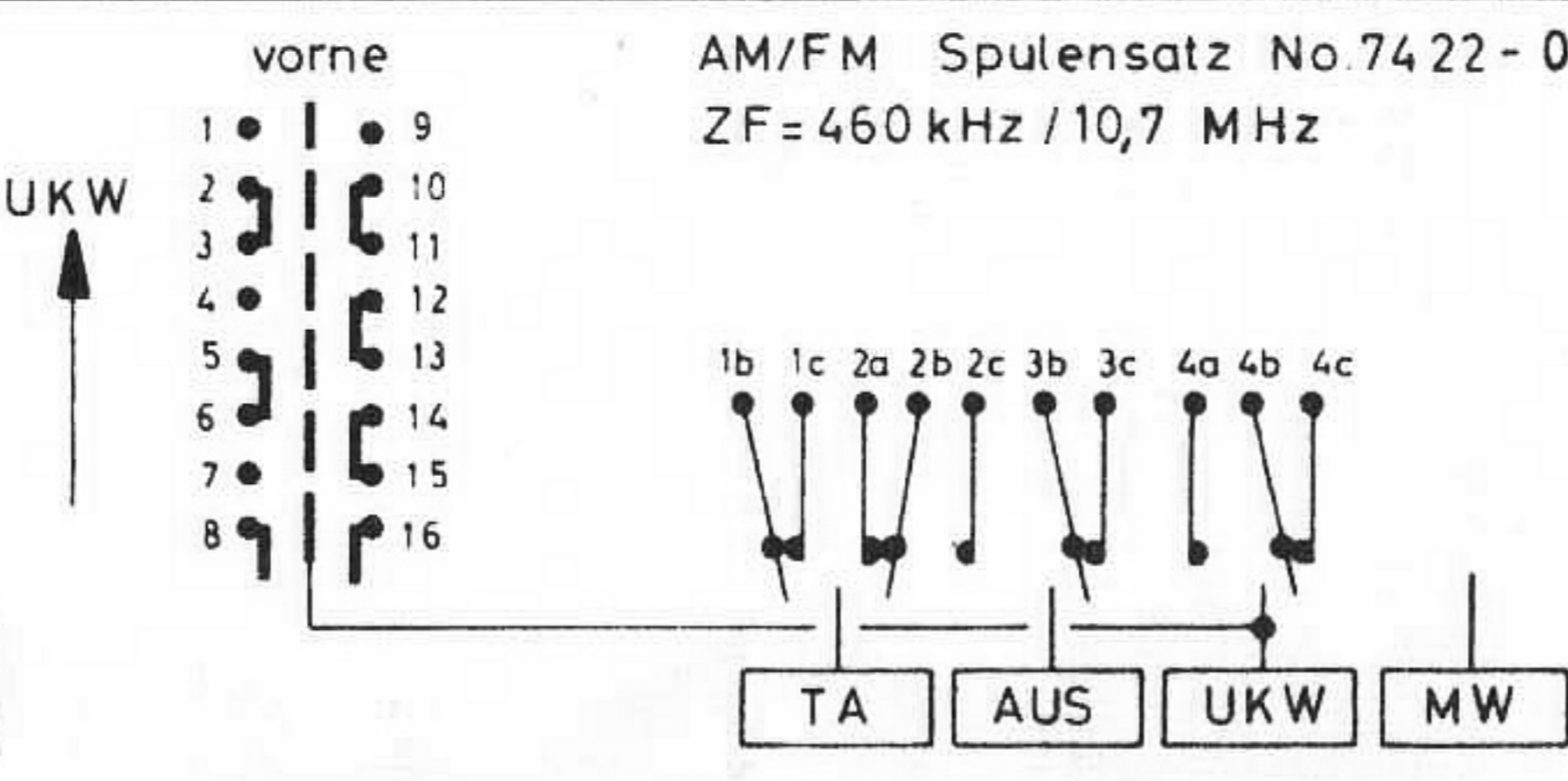
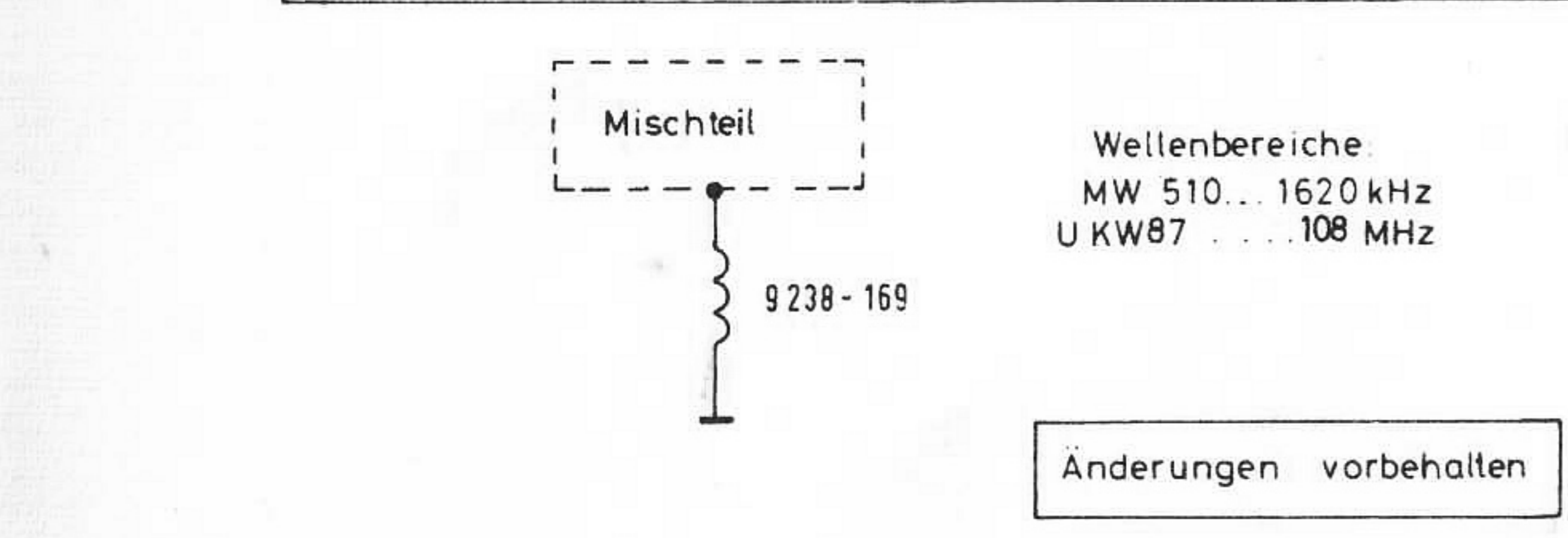
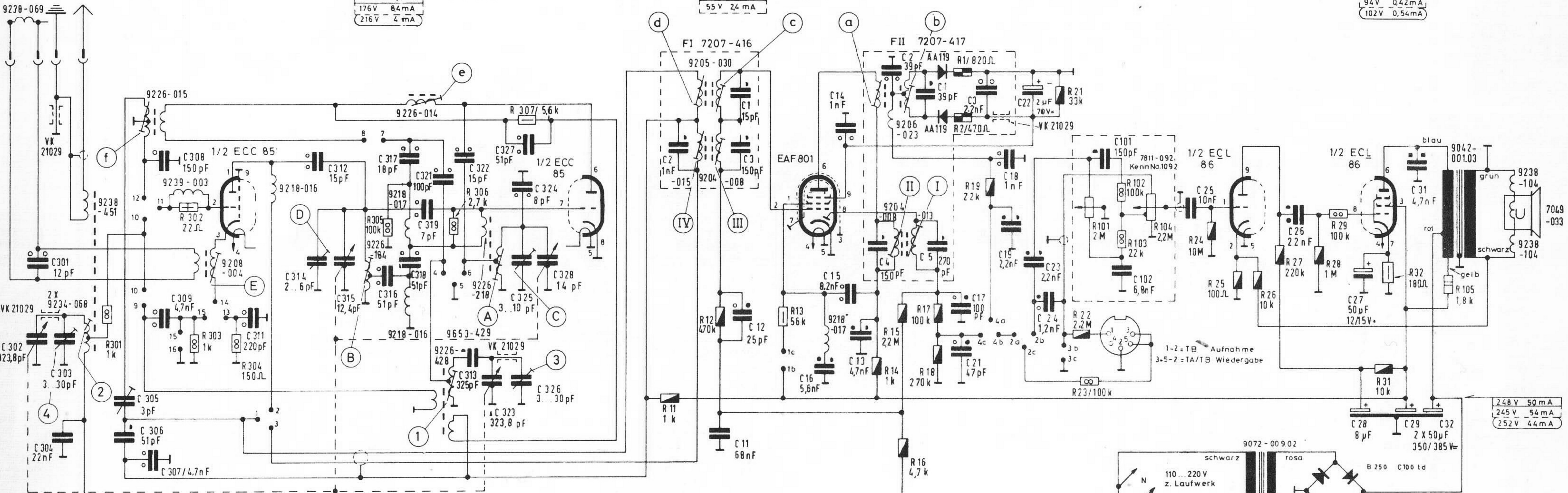
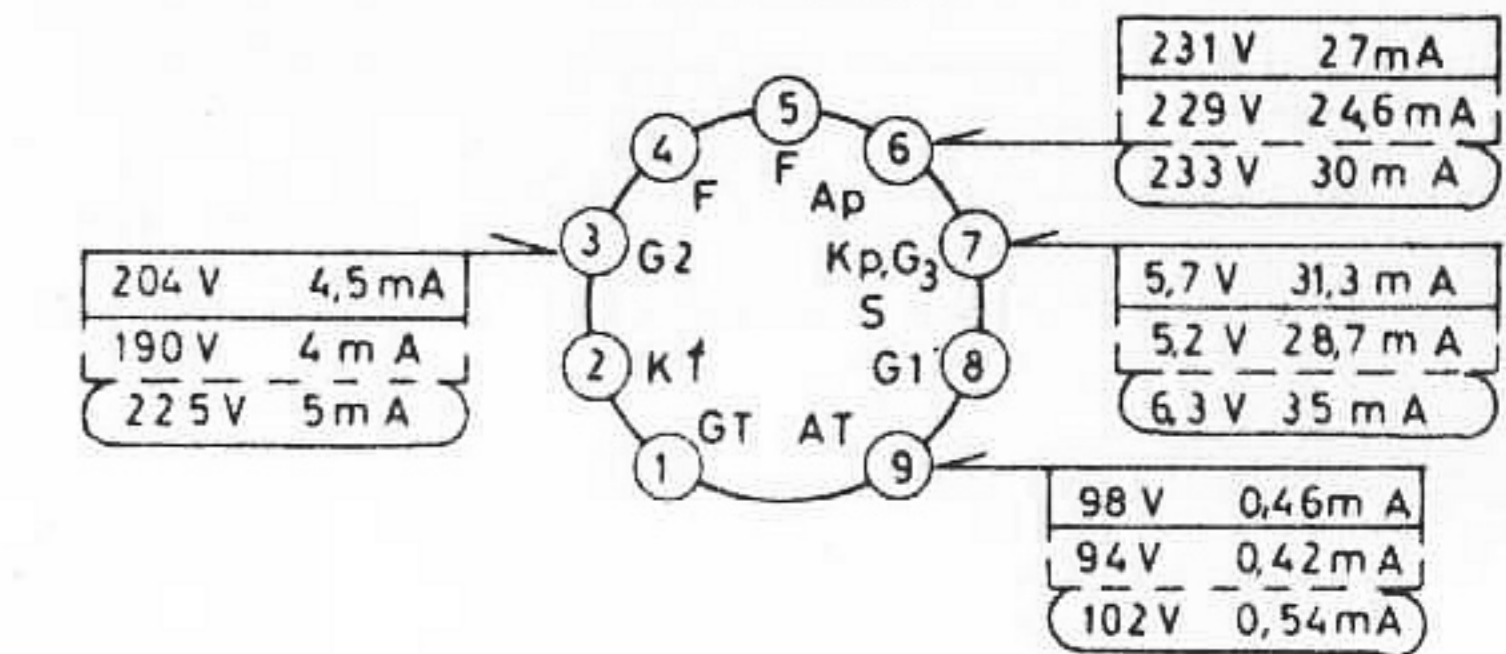
ECC 85
6,3V Q43A



EAF 801
6,3V Q3A



ECL 86
6,3V 078A



C:	301, 302, 303, 304, 305, 306, 307, 308, 309, 311, 315, 312, 314, 316, 317, 318, 319, 321, 322, 323, 323, 327, 325, 326, 328, 324, 11, 12, 16, 14, 15, 13, 17, 21, 18, 19, 22, 23, 24, 101, 102, 25, 26, 27, 28, 29, 31, 32, 329
R:	301, 302, 303, 304, 305, 306, 307, 11, 12, 13, 14, 15, 16, 17, 18, 19, 21, 22, 23, 101, 102, 103, 104, 24, 25, 26, 27, 28, 29, 31, 32, 105,